



POINT!

Our drying technology will make it possible to recycle your residue of food / agriculture, copost, and sawdust, into fertilizer or feed. Dryer also reduces the volume and weight of wet waste biomass, so you can reduce the cost of wasting. One of our strengths is the original technology of agitation. So you can dry a material faster, on a larger scale, and in a better quality. The moisture content of dried products can be adjusted as your request. Therefore, our biomass dryer is energy-saving.

Characteristics

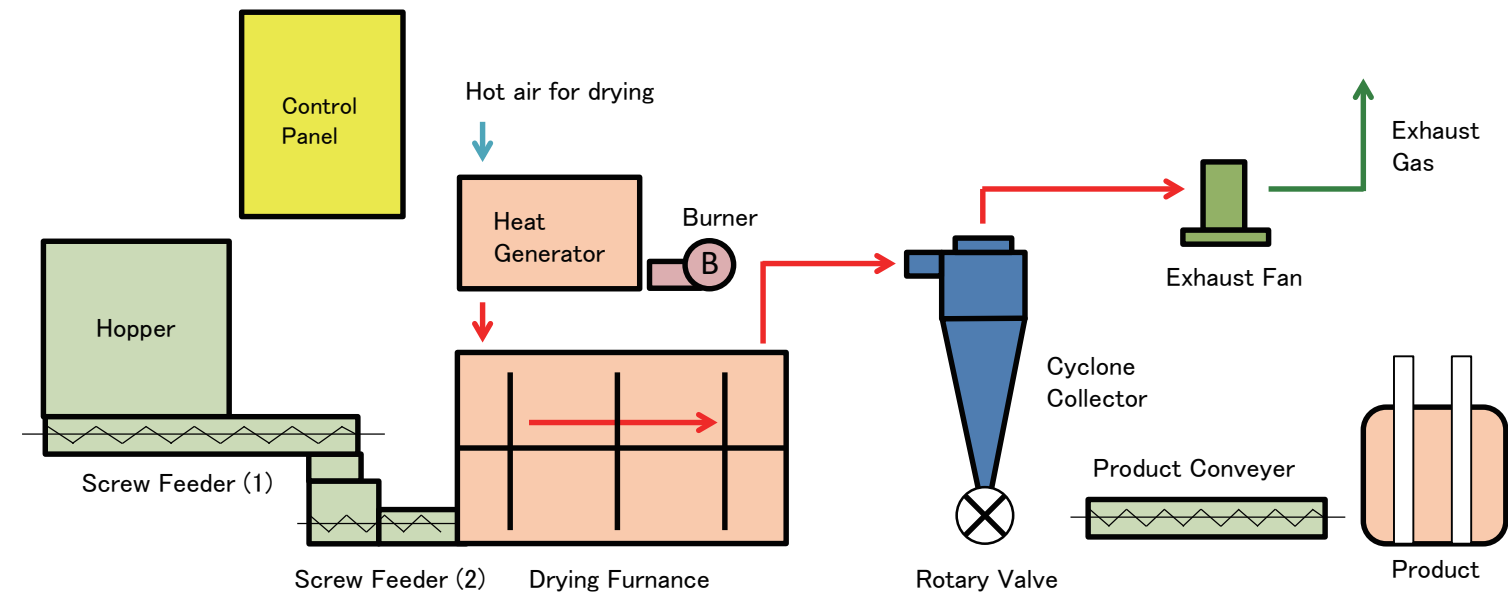
- 1. Automatic Operation**
Fully automated from input of ingredient to output of dried product. The only thing you have to do is just to put the bottom. You can change the drying degree as you like.
- 2. Custom-made Design**
We will design the optimal plant for you based on a drying test of your target material.
- 3. Maximum Thermal Efficiency & Minimum Fuel**
We will contribute for you to reduce fuel cost by the special structure, which improves thermal efficiency.
- 4. Welcome for Drying Test**
We have test plant in our laboratory. If you have something you want to dry, please feel free to contact us.

Example

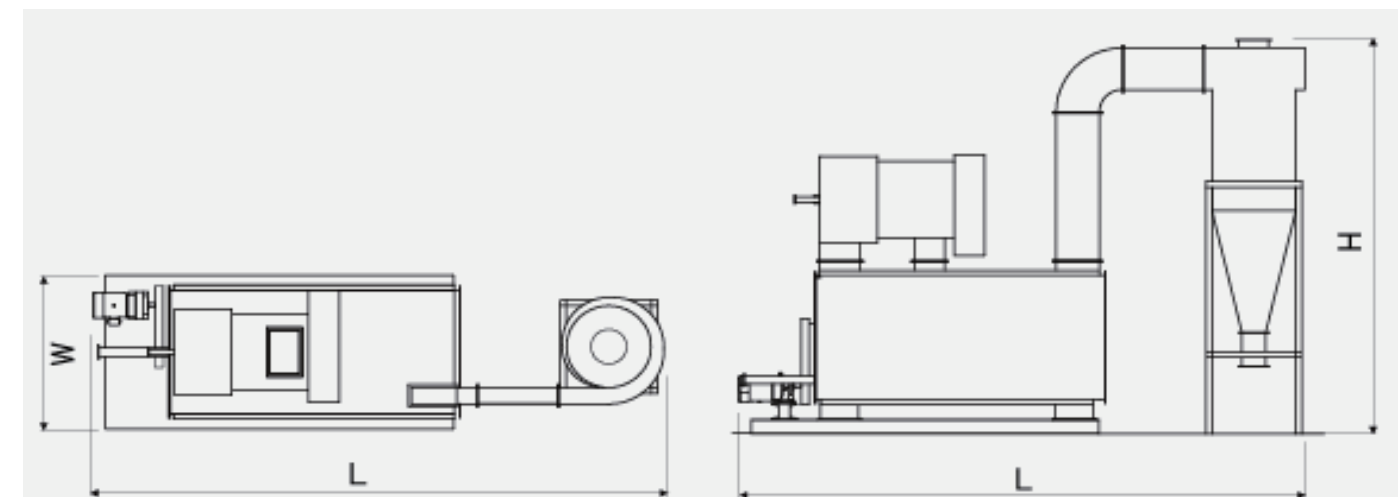


We will design the custom-made plant for you depend on your request. The above pictures are examples. Our biomass dryer will accept any biomass in addition to the above. We can also propose the best way of drying for the condition of your ingredient.

Flow chart



Size



Specification

Model	D-30	D-100	D-250	D-300
Capacity	30kg/h	100kg/h	250kg/h	300kg/h
Power	4.3kw	5.1kw	10.0kw	11.8kw
Length	3,100mm	4,650mm	5,550mm	6,250mm
Width	800mm	1,150mm	1,500mm	1,600mm
Height	2,500mm	3,450mm	4,150mm	5,050mm

Option: Hygine type for food with stainless steel furnance and heat exchanger in order to use clean hot air rather than combustion gas. In Japan, the hygine type dryer is used for making soybean curd powder food.

⚠ Read carefully instruction manual before operation