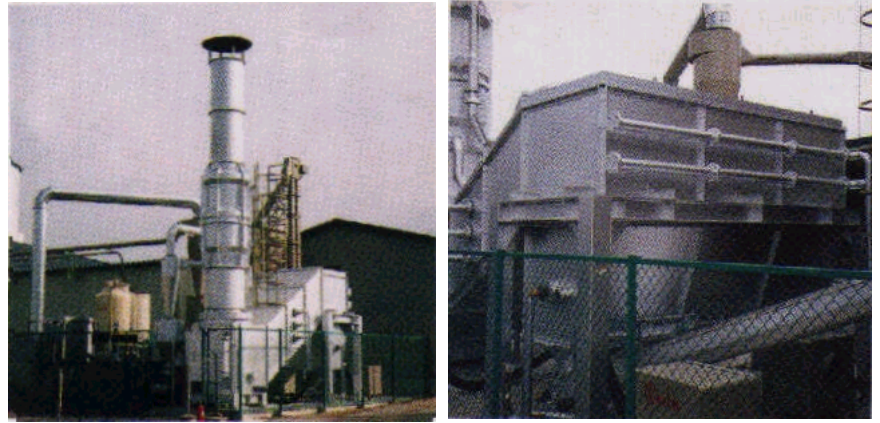


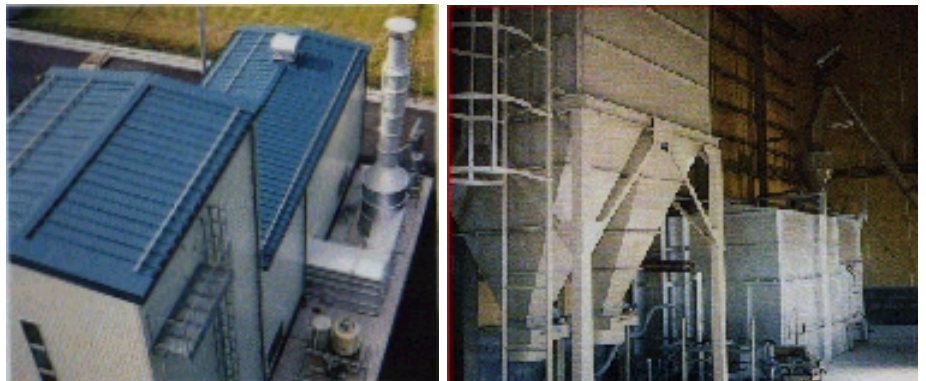
AUTOMATIC RICE-HUSK CARBONIZER (R.H.C.) MANUFACTURED FIRST IN THE WORLD

Our research upon rice-husk has been repeated for 60 years since 1941.

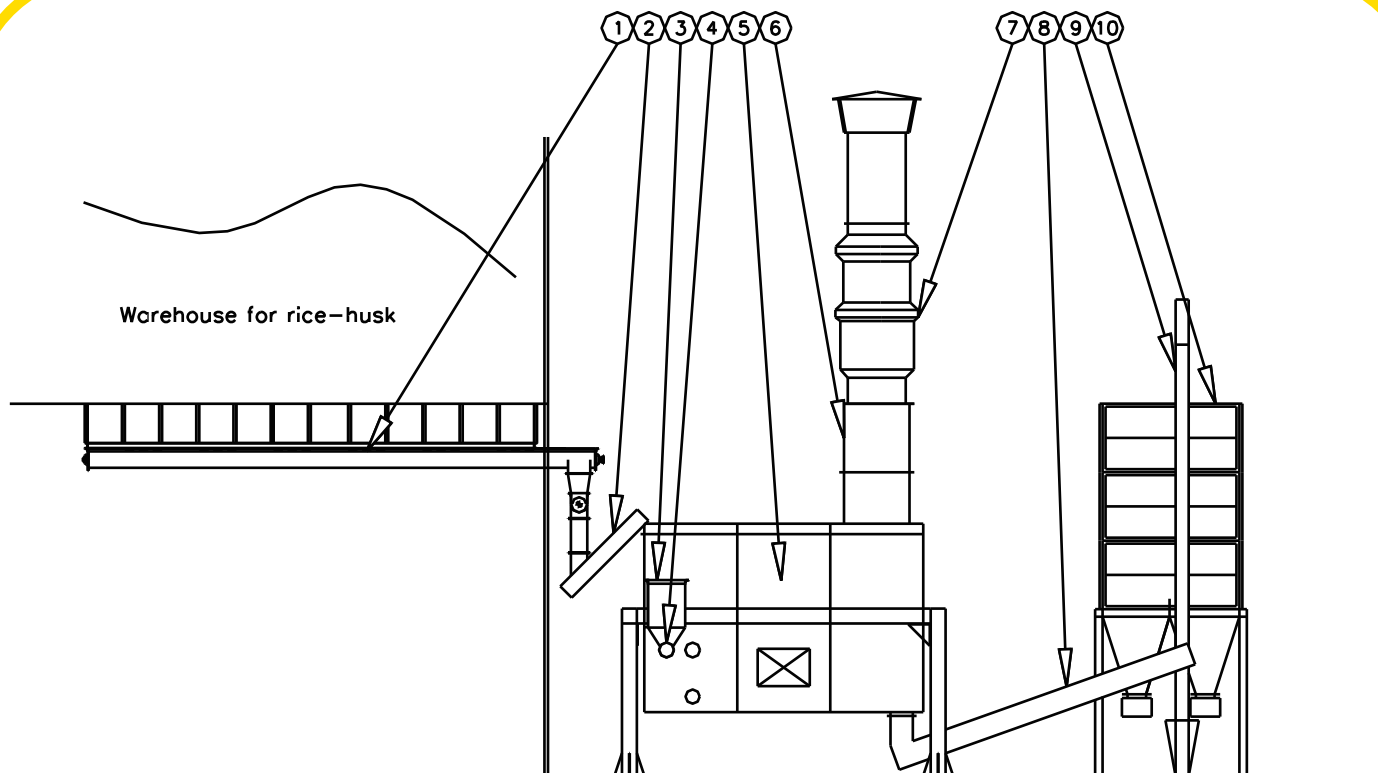
We succeeded in manufacturing an automatic rice-husk carbonizer in 1967 for the first time in the world following to the manufacture of our automatic rice-husk crusher. In the same year, Kansai Corporation was honored to receive the first government subsidy upon the machinery for carbonizing rice-husk under the program of Agro-Structural Improvement Project of Ministry, Agriculture Forestry and Fisheries (M.A.F.F.) of the government of Japan. Since then, we have been trying to improve it further more, year by year for offering more better ones.



Outdoor Type R.H.C.



Indoor Type R.H.C.



1. Rice-husk discharger
2. Rice-husk conveyor
3. Rice-husk hopper
4. Rice-husk constant supplier
5. Fire chamber

6. Fire-resistant chimney
7. Dry type dust collector
8. Burning rice-husk's extinguisher
9. Bucket conveyor for carbonized rice-husk
10. Storage tank for carbonized rice-husk